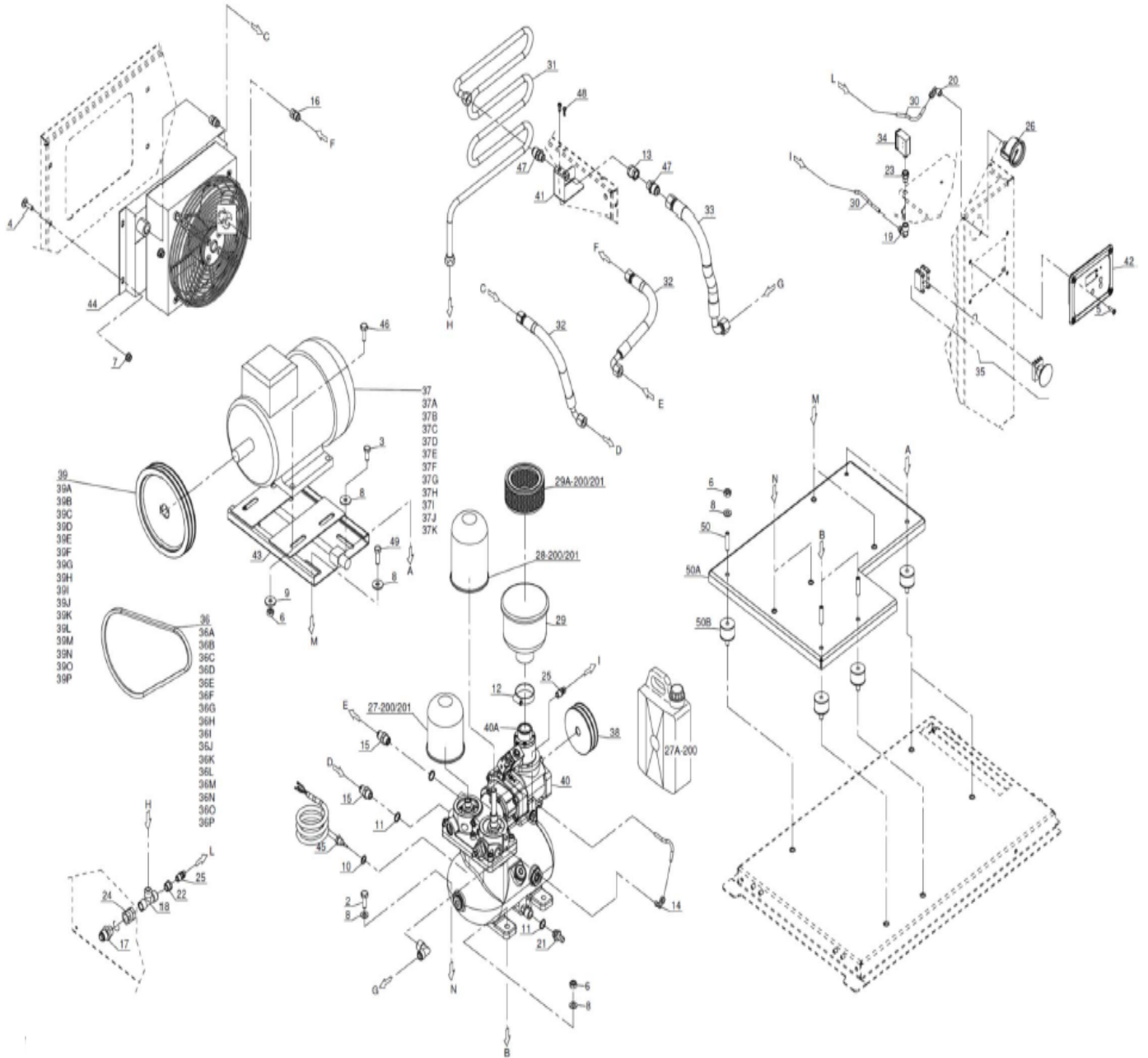
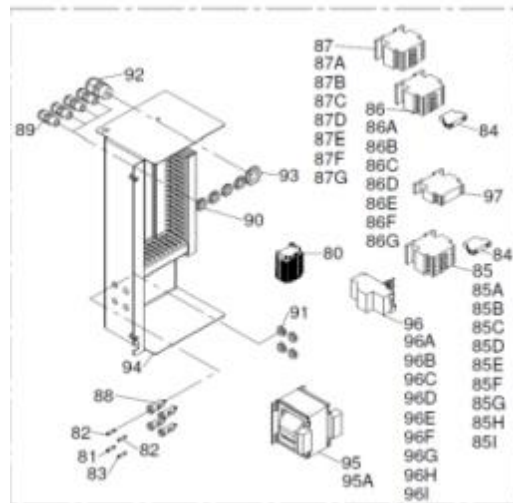
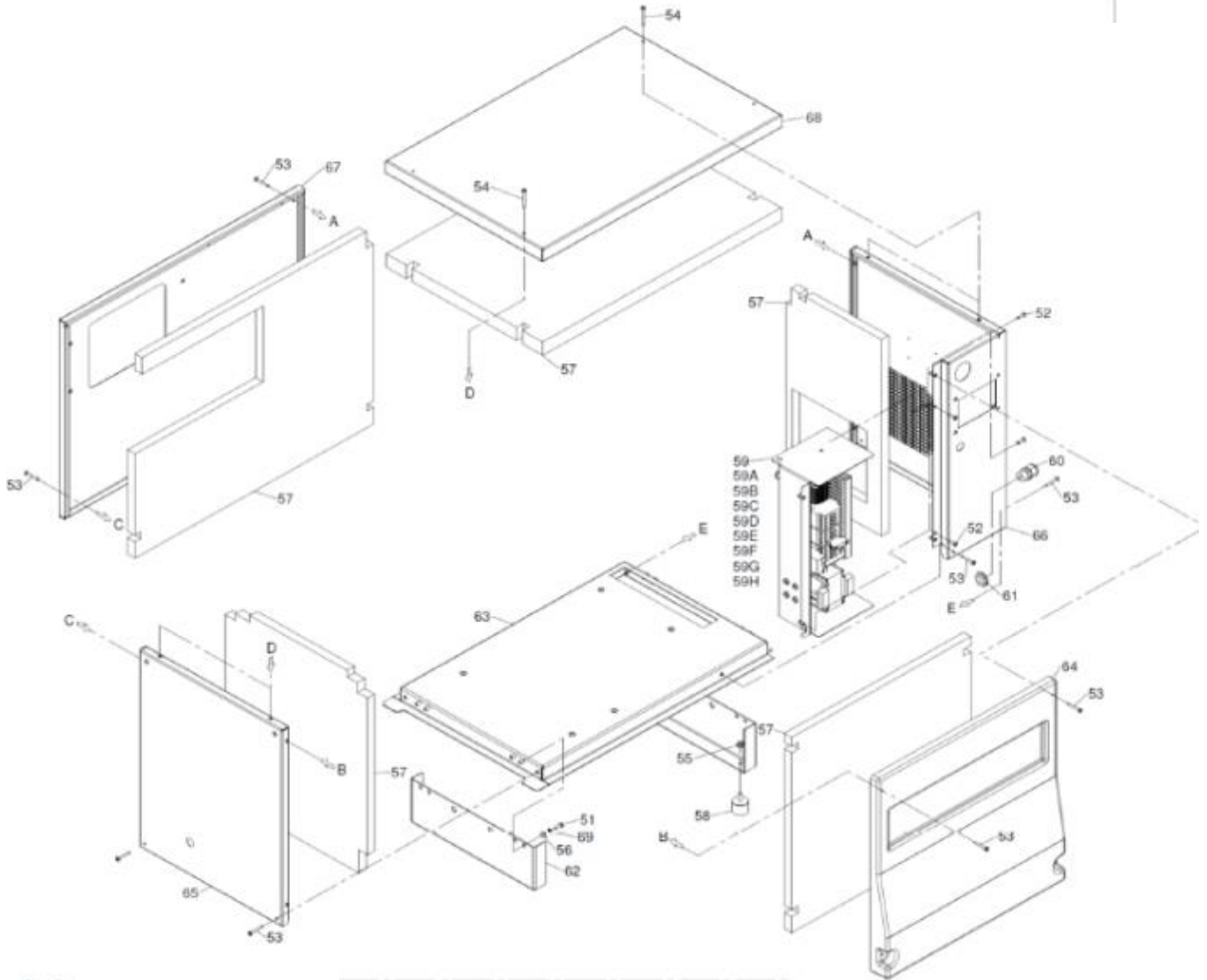


Referencia: **RSX 5,5/7,5/10**



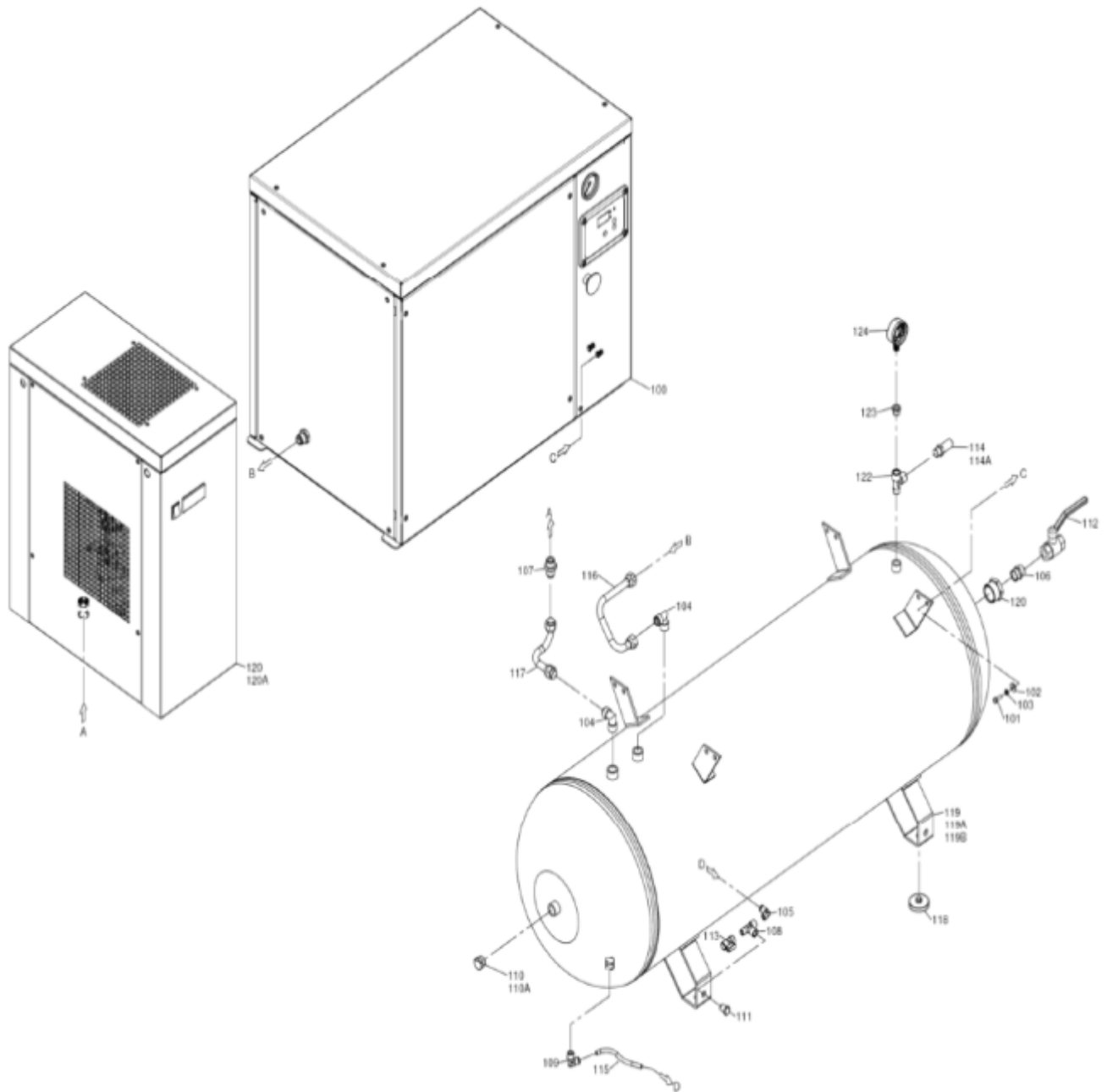


Referencia: **RSX 5,5/7,5/10**





Referencia: **RSX 5,5/7,5/10**



Referencia: **RSX 5,5 /7,5/10**



REF. RIF.	CODE CODICE	QT	DESCRIPTION DESCRIZIONE
1	7155840000	1	Panel kit Kit pannell
2	7011160000	8	Screw Vite TE M10x30
3	7011140000	2	Screw Vite TE M10x20
4	7012610000	4	Screw Vite T/Bomb. M8x30
5	7014420000	4	Screw Vite TBL M5x20
6	7020080000	4	Nut Dado M10
7	7020240000	4	Nut Dado M8 C/fangia
8	7030040000	9	Washer Rondella Ø10
9	7030060000	8	Washer Rondella Ø10x30
10	7030670000	1	Washer Rondella 1/4 alluminio
11	7030680000	3	Washer Rondella all. Ø3/8"
12	7043140000	1	Clamp Fascetta metallica
13	6002803838	1	Joint Manicotto 3/8
14	7080560000	1	Joint Raccordo a L M1/8" tubo Ø
15	7081340000	4	Joint Nipplo 3/8
16	7085540000	2	Joint Riduzione 1/2x3/8
17	7081311150	1	Joint Nipplo 1/2
18	7082700000	1	Joint Raccordo a T 3/8Fx1/2SVMx1/2M
19	7083280000	1	Joint Raccordo a L F1/4" tubo Ø
20	7083290000	1	Joint Portagomma M3/8 tubo 12
21	7083940000	1	Joint Raccordo a L F1/8" tubo Ø
22	7085190000	1	Joint Riduzione MF 3/8x1/4
23	7085230000	1	Joint Riduzione MM 1/4x1/4
24	7085700000	1	Joint Manicotto 1/2
25	7086720000	2	Joint Raccordo dritto M1/4 tubo Ø6
26	7110400000	1	Pressure gauge Manometro
27	7211141150	1	Oil filter Filtro olio
27A	7120340000	1	Maintenance Oil Olio per manutenzione
28	7211960000	1	Air-oil Filter Filtro disoleatore
29	7216050000	1	Box Air Filter Filtro Aria completo
29A	7212160010	1	Air Filter Cartuccia Filtro Aria
30	7233610000	1	Rilsan kit Hose Kit tubo rilsan
31	7235870000	1	Infeed Hose Tubo alimentazione rame
32	7235860000	2	Outlet-return oil Hose Tubo mandata -ritomo olio
33	7238580000	1	Infeed Hose Tubo mandata aria
34	7250690000	1	Pressure switch Pressostato
35	4091040000	1	Emergency Push Botton Pulsante a fungo di menegerza
36	7370920000	1	Belt Cinghia SP2X 862 (5,5HP/50Hz - 8 Bar)
36A	7371580000	1	Belt Cinghia SP2X825 (5,5HP/50Hz - 10 Bar)
36B	7370640000	1	Belt Cinghia SP2X787 (5,5HP/50Hz - 13 Bar)
36C	7371010000	1	Belt Cinghia SP2X 950 (7,5HP/50Hz - 8 Bar)
36D	7371210000	1	Belt Cinghia SP2X925 (7,5HP/50Hz - 10 Bar)
36E	7371530000	1	Belt Cinghia SP2X850 (7,5HP/50Hz - 13 Bar)
36F	7370950000	2	Belt Cinghia SP2X 1012 (10HP/50Hz - 8 Bar)
36G	7371010000	2	Belt Cinghia SP2X 950 (10HP/50Hz - 10 Bar)
36H	7371210000	2	Belt Cinghia SP2X925 (10HP/50Hz - 13 Bar)
36I	7371580000	1	Belt Cinghia SP2X825 (5,5HP/60Hz - 8 Bar)
36J	7370640000	1	Belt Cinghia SP2X787 (5,5HP/60Hz - 10 Bar)
36K	7371090000	1	Belt Cinghia SP2X750 (5,5HP/60Hz - 13 Bar)
36L	7370960000	1	Belt Cinghia SP2X 875 (7,5HP/60Hz - 8 Bar)
36M	7371530000	1	Belt Cinghia SP2X850 (7,5HP/60Hz - 10 Bar)
36N	7370640000	1	Belt Cinghia SP2X787 (7,5HP/60Hz - 13 Bar)
36O	7371210000	2	Belt Cinghia SP2X925 (10HP/60Hz - 8 Bar)
36P	7370960000	2	Belt Cinghia SP2X 875 (10HP/60Hz - 10 Bar)



Referencia: **RSX 5,5 /7,5/10**



REF. RIF.	CODE CODICE	QT	DESCRIPTION DESCRIZIONE
36Q	7371530000	2	Belt Cinghia SPZX850 (10HP/60Hz - 13 Bar)
37	7386160000	1	Motor Motore 5,5 HP-50Hz (DOL V230-400 / DY 230V)
37A	7386160000	1	Motor Motore 5,5 HP-50Hz (DY 400V)
37B	7385460000	1	Motor Motore 5,5 HP-60Hz (DOL V220-380 / DY 220V)
37C	7383160000	1	Motor Motore 5,5 HP-60Hz (DY 380V)
37D	7383120000	1	Motor Motore 7,5 HP-50Hz (DY 230V)
37E	7380200000	1	Motor Motore 7,5 HP-50Hz (DY 400V)
37F	7385400000	1	Motor Motore 7,5 HP-60Hz (DY 220V)
37G	7385470000	1	Motor Motore 7,5 HP-60Hz (DY 380V)
37H	7382830000	1	Motor Motore 10 HP-50Hz (DY 230V)
37I	7385180000	1	Motor Motore 10 HP-50Hz (DY 400V)
37J	7385410000	1	Motor Motore 10 HP-60Hz (DY 220V)
37K	7385480000	1	Motor Motore 10 HP-60Hz (DY 380V)
38	7406640000	1	Pump unit Pulley Puleggia gruppo vite @p100-2SPZ F16
39	7406950000	1	Motor Pulley Pul. @p160 1SPZ F28 (5,5HP/50Hz - 8 Bar)
39A	7406600000	1	Motor Pulley Pul.@p140 1SPZ F28 (5,5HP/50Hz - 10 Bar)
39B	7407790000	1	Motor Pulley Pul.@p125 1SPZ F28 (5,5HP/50Hz - 13 Bar)
39C	7406620000	1	Motor Pulley Pul.@p224 1SPZ F28 (7,5HP/50Hz - 8 Bar)
39D	7406610000	1	Motor Pulley Pul.@p200 1SPZ F28 (7,5HP/50Hz - 10 Bar)
39E	7408570000	1	Motor Pulley Pul.@p180 1SPZ F28 (7,5HP/50Hz - 13 Bar)
39F	7406630000	1	Motor Pulley Pul.@p250 2SPZ F28 (10HP/50Hz - 8 Bar)
39G	7407500000	1	Motor Pulley Pul.@p224 2SPZ F28 (10HP/50Hz - 10 Bar)
39H	7409960000	1	Motor Pulley Pul.@p200 2SPZ F28 (10HP/50Hz - 13 Bar)
39I	7407900000	1	Motor Pulley Pul.@p132 1SPZ F28 (5,5HP/60Hz - 8 Bar)
39J	7409140000	1	Motor Pulley Pul.@p118 1SPZ F28 (5,5HP/60Hz - 10 Bar)
39K	7407120000	1	Motor Pulley Pul.@p100 1SPZ F28 (5,5HP/60Hz - 13 Bar)
39L	7408570000	1	Motor Pulley Pul.@p180 1SPZ F28 (7,5HP/60Hz - 8 Bar)
39M	7406950000	1	Motor Pulley Pul.@p160 1SPZ F28 (7,5HP/60Hz - 10 Bar)
39N	7408230000	1	Motor Pulley Pul.@p150 1SPZ F28 (7,5HP/60Hz - 13 Bar)
39O	7409960000	1	Motor Pulley Pul.@p200 2SPZ F28 (10HP/60Hz - 8 Bar)
39P	7407910000	1	Motor Pulley Pul.@p180 2SPZ F28 (10HP/60Hz - 10 Bar)
39Q	7407060000	1	Motor Pulley Pul.@p160 2SPZ F28 (10HP/60Hz - 13 Bar)
40	7423310000	1	Pump unit Gruppo vite
40A	7196420000	1	Pump unit Intake valve Valvola aspirazione gruppo vite
41	7511790000	1	Support Staffa fissaggio tubo mandata
42	7433850000	1	Electronic panel Scheda elettronica
43	7457030000	1	Belt tensioner Sifita tendiclinghia
44	7517530000	1	Radiator Radiator
44A	7513660000	1	Conveyor Convogliatore
44B	7194430000	1	Fan Elettroventola
44C	7194430010	1	Fan Grid Griglia ventola
45	7566200000	1	Thermal switch Sonda temperatura
46	7011170000	4	Screw Vite t.e. M10x35
47	7081250000	2	Joint Raccordo 1/2x3/8 tubo rame
48	7012240000	2	Screw Vite trilob. M5x15
49	7011530000	2	Screw Vite t.e. M10x16
50	7014540000	5	Screw Vite STEI M10x45
50A	5012180008	1	Base Base gruppo vite-motore
50B	7364190000	5	Shock absorber Antivibrante
200	4095350000	1	Maintenance Kit Kit manutenzione
201	4094980000	1	Filter Kit KIT Filtri



Referencia: **RSX 5,5 /7,5/10**



REF. RIF.	CODE CODICE	QT	DESCRIPTION DESCRIZIONE
51	7011040000	8	Screw Vite M6x20
52	7014420000	4	Screw Vite TBL M5x20
53	7014440000	13	Screw Vite TBL M5x40
54	7014450000	4	Screw Vite TBL M5x50
55	7020240000	4	Nut Dado M8 C/riangla
56	7030190000	8	Washer Rondella Ø6x16
57	7213520000	5	Soundprof Kit Kit Fonoassorbente
58	7360400000	4	Rubber Piede in gomma
59	7414640010	1	Electric box Cassetta elettrica (5,5 HP 380-415V 50/60 Hz DOL)
59A	7414850010	1	Electric box Cassetta elettrica (5,5 HP 220-240V 50/60 Hz DOL)
59B	7414820010	1	Electric box Cassetta elettrica (5,5 HP 380-415V 50/60 Hz)
59C	7414740010	1	Electric box Cassetta elettrica (7,5 HP 380-415V 50/60 Hz)
59D	7414750010	1	Electric box Cassetta elettrica (10 HP 380-415V 50/60 Hz)
59E	7414830010	1	Electric box Cassetta elettrica (5,5 HP 220-240V 50/60 Hz)
59F	7414870010	1	Electric box Cassetta elettrica (7,5 HP 220-240V 50/60 Hz)
59G	7414860010	1	Electric box Cassetta elettrica (10 HP 220-240V 50/60 Hz)
59H	7414050010	1	Electric box Cassetta elettrica (5,5 HP 208-240V 60 Hz)
59I	7413250010	1	Electric box Cassetta elettrica (7,5 HP 208-240V 60 Hz)
60	7500650000	1	Stretch eliminator Pressacavo M25x1,5
61	7500650010	1	Blocker Nut Controdado M25x1,5
62	5167430008	2	Foot Piede SSA/Silver
63	5160290008	1	Base Basamento
64	7155860000	1	Front panel Pannello frontale
65	5160370008	1	Dx panel Pannello laterale DX
66	5160360008	1	Sx panel Pannello laterale SX
67	5160380008	1	Rear panel Pannello posteriore
68	5160390008	1	Superior panel Pannello superiore
69	7031030000	8	Washer Rondella UNI 3707 Ø6
70	7514152000	1	Electric box Panel Pannello Quadro elettrico

Referencia: **RSX 5,5 /7,5/10**



REF. RIF.	CODE CODICE	QT	DESCRIPTION DESCRIZIONE
81	7431640000	1	Fuse Fusibile F4
82	7432720000	2	Fuse Fusibile F3-F2
83	7432730000	1	Fuse Fusibile F5
84	7434210000	2	Normally Closed contact Contatto NC (manca nell'immagine su K3)
85	7434180000	1	Contactora K1 Contattore K1 (380/415V - 50/60Hz - 5,5HP - DOL)
85A	7434170000	1	Contactora K1 Contattore K1 (220/240V - 50/60Hz - 5,5HP - DOL)
85B	7434190000	1	Contactora K1 Contattore K1 (380/415V - 50/60Hz - 5,5HP)
85C	7434180000	1	Contactora K1 Contattore K1 (220/240V - 50/60Hz - 5,5HP)
85D	7434190000	1	Contactora K1 Contattore K1 (380/415V - 50/60Hz - 7,5HP)
85E	7414180000	1	Contactora K1 Contattore K1 (220/240V - 50/60Hz - 7,5HP)
85F	7414190000	1	Contactora K1 Contattore K1 (380/415V - 50/60Hz - 10HP)
85G	7434170000	1	Contactora K1 Contattore K1 (220/240V - 50/60Hz - 10HP)
85H	7414180000	1	Contactora K1 Contattore K1 (208/240V - 60Hz - 5,5HP)
85I	7434170000	1	Contactora K1 Contattore K1 (208/240V - 60Hz - 7,5HP)
86	7434190000	1	Contactora K2 Contattore K2 (380/415V - 50/60Hz - 5,5HP)
86A	7434180000	1	Contactora K2 Contattore K2 (220/240V - 50/60Hz - 5,5HP)
86B	7434190000	1	Contactora K2 Contattore K2 (380/415V - 50/60Hz - 7,5HP)
86C	7434180000	1	Contactora K2 Contattore K2 (220/240V - 50/60Hz - 7,5HP)
86D	7434190000	1	Contactora K2 Contattore K2 (380/415V - 50/60Hz - 10HP)
86E	7434170000	1	Contactora K2 Contattore K2 (220/240V - 50/60Hz - 10HP)
86F	7434180000	1	Contactora K2 Contattore K2 (208/240V - 60Hz - 5,5HP)
86G	7434180000	1	Contactora K2 Contattore K2 (208/240V - 60Hz - 7,5HP)
87	7434190000	1	Contactora K3 Contattore K3 (380/415V - 50/60Hz - 5,5HP)
87A	7434190000	1	Contactora K3 Contattore K3 (220/240V - 50/60Hz - 5,5HP)
87B	7434190000	1	Contactora K3 Contattore K3 (380/415V - 50/60Hz - 7,5HP)
87C	7434190000	1	Contactora K3 Contattore K3 (220/240V - 50/60Hz - 7,5HP)
87D	7434190000	1	Contactora K3 Contattore K3 (380/415V - 50/60Hz - 10HP)
87E	7434180000	1	Contactora K3 Contattore K3 (220/240V - 50/60Hz - 10HP)
87F	7434190000	1	Contactora K3 Contattore K3 (208/240V - 60Hz - 5,5HP)
87G	7434190000	1	Contactora K3 Contattore K3 (208/240V - 60Hz - 7,5HP)
88	7435000000	4	Fuse carrier Portafusibili
89	7500430000	4	Stretch eliminator Pressacavo M16x1,5
90	7500430010	4	Blocker Nut Controdado M16x1,5
91	7500560010	4	Blocker Nut Controdado M12x1,5
92	7500650000	1	Stretch eliminator Pressacavo M25x1,5
93	7500650010	1	Blocker Nut Controdado M25x1,5
94	7514180000	1	Electric box Cassetta elettrica
95	7564340000	1	Transformer Trasformatore 200 VA
95A	7564370000	1	Transformer Trasformatore 200 VA (208/240V-60Hz 5,5-7,5HP)
96	7434290000	1	Thermal relay Relé Termico (380/415V - 50/60Hz - 5,5HP - DOL)
96A	7434270000	1	Thermal relay Relé Termico (220/240V - 50/60Hz - 5,5HP - DOL)
96B	7434310000	1	Thermal relay Relé Termico (380/415V - 50/60Hz - 5,5HP)
96C	7434290000	1	Thermal relay Relé Termico (220/240V - 50/60Hz - 5,5HP)
96D	7434300000	1	Thermal relay Relé Termico (380/415V - 50/60Hz - 7,5HP)
96E	7434280000	1	Thermal relay Relé Termico (220/240V - 50/60Hz - 7,5HP)
96F	7434290000	1	Thermal relay Relé Termico (380/415V - 50/60Hz - 10HP)
96G	7434270000	1	Thermal relay Relé Termico (220/240V - 50/60Hz - 10HP)
96H	7434290000	1	Thermal relay Relé Termico (208/240V - 60Hz - 5,5HP)
96I	7434280000	1	Thermal relay Relé Termico (208/240V - 60Hz - 7,5HP)
97	7434070000	1	Relay Relé sequenza fasi KR

Referencia: **RSX 5,5 /7,5/10**



REF. RIF.	CODE CODICE	QT	DESCRIPTION DESCRIZIONE
100	/	1	Unit pump <i>Gruppo pompante NEW SILVER</i>
101	7011040000	8	Screw <i>Vite TE M8x20</i>
102	7030190000	8	Washer <i>Rondella Ø6x18</i>
103	7031030000	8	Washer <i>Rondella Ø6 dent.</i>
104	7080160000	2	Joint <i>Raccoro a L 1/2"</i>
105	7080970000	1	Joint <i>Raccoro a L 1/4 tubo 8</i>
106	7081010000	1	Joint <i>Nipplo 1/2</i>
107	7081311150	1	Joint <i>Nipplo 1/2 tubo rame</i>
108	7082050000	1	Joint <i>Racc. T MFF 1/4</i>
109	7082820000	1	Joint <i>Racc. L 3/8 tubo 8</i>
110	7090030000	1	Plug <i>Tappo 1/2</i>
110A	7090050000	1	Plug <i>Tappo 2 (Serb. 500 lt)</i>
111	7090090000	1	Plug <i>Tappo 1/4</i>
112	7130150000	1	Tap <i>Valvola 1/2 FF</i>
113	7130170000	1	Tap <i>Valvola 1/4 FF</i>
114A	7192090000	1	Safety valve (8-10 bar) <i>Valvola sicurezza 8-10,4 BAR</i>
114B	7192000000	1	Safety valve (13 bar) <i>Valvola sicurezza 13 BAR</i>
115	7230080000	1	Rilsan Hose <i>Tubo rilsan Ø8</i>
116	7235010000	1	Unit pump/tank Hose <i>Tubo Gruppo pompante/serbatolo</i>
117	7235020000	1	Tank/dryer hose <i>Tubo serbatolo/essiccatore</i>
118	7360400000	4	Rubber <i>Gommino serbatotlo</i>
119A	5150340008	1	Tank (300lt) <i>Serbatolo (300 lt)</i>
119B	7476020000	1	Tank (500lt) <i>Serbatolo (500 lt)</i>
120	7566260000	1	Dryer <i>Essiccatore 220V</i>
120A	7566280000	1	Dryer <i>Essiccatore 115V</i>
121	7085120000	1	Joint <i>Riduzione 2x1/2" (serb. 500 lt)</i>
122	7082490000	1	Joint <i>Raccordo a T3/8 MFF</i>
123	7085190000	1	Joint <i>Raccordo MM3/8x1/4</i>
124	7110180000	1	Pressuge gauge <i>Manometro</i>

Referencia: **RSX 5,5 /7,5/10**



PACKSMART V60

REF. RIF.	CODE CODICE	DESCRIPTION DESCRIZIONE
1	4095220000	Gaskets kit <i>Kit guarnizioni</i>
2	4092010000	Bearing Kit <i>Kit Cuscinetti</i>
3	4095240000	Minimum valve kit <i>Kita valvola di minima</i>
4	4092030000	Oil seal kit <i>Kit paraolio</i>
5	4092050000	Suction valve kit <i>Kit valvola aspirazione</i>
6	4095270000	Recovery oil hose kit <i>Kit recupero tubo olio</i>
7	4095280000	Flange kit <i>Kit flangia</i>
8	7192920000	Safety Valve <i>Valvola di sicurezza</i>
9	4086400000	Solenoid Valve <i>Elettrovalvola</i>

