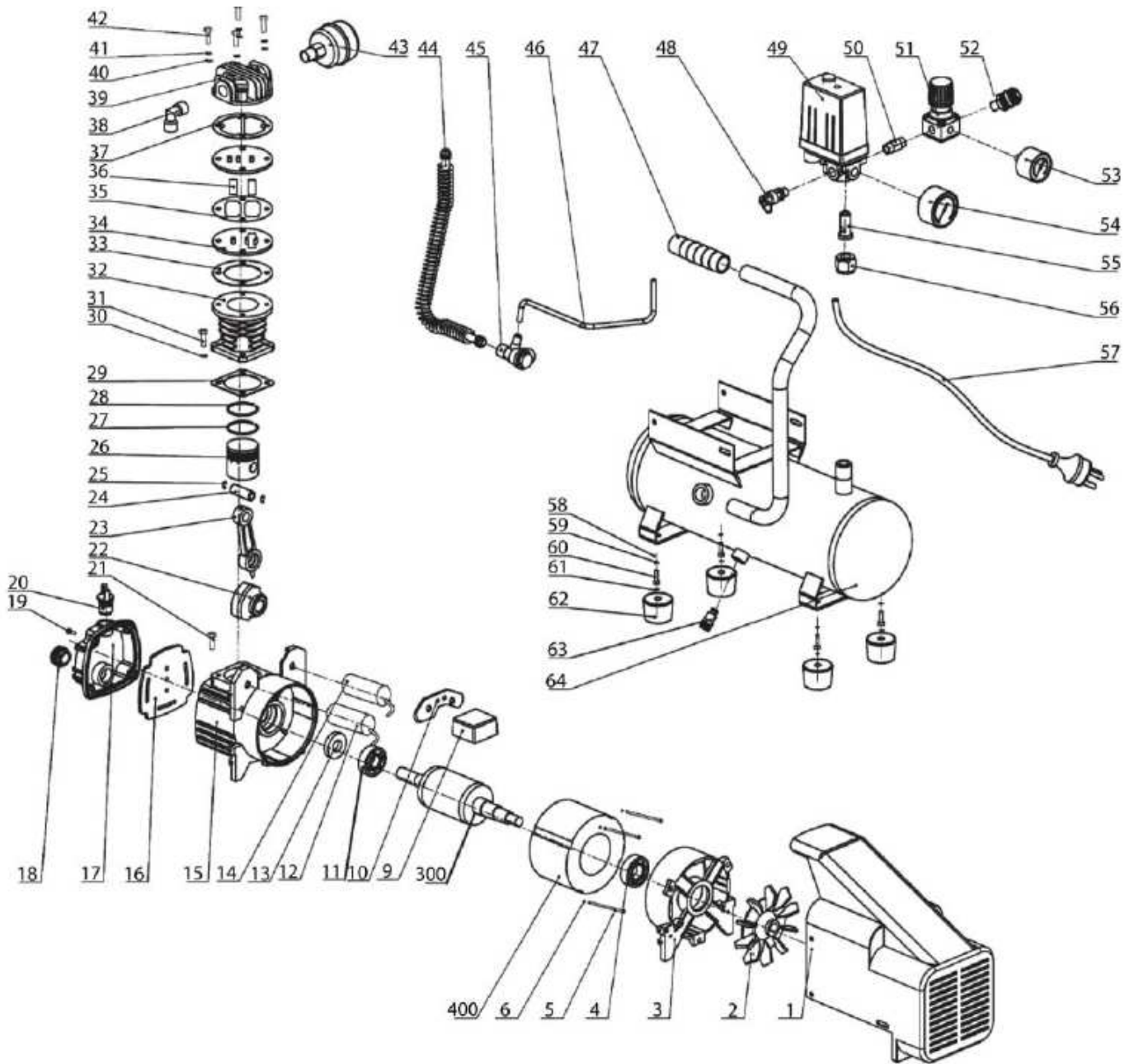


Referencia: **PRO 6**



Referencia: **PRO 6**



1	PRO6R1001	COBERTOR PLASTICO	PLASTIC COWLING
2	PRO6R1002	TURBINA	TURBO FAN
3	PRO6R1003	TAPA TRASERA DE MOTOR	REAR MOTOR COVER
4	PRO6R1004	RODAMIENTO	BEARING
5	PRO6R1005	TORNILLO	SCREW M5X115
6	PRO6R1006	ARANDELA	SPING WASHER 5
400	PRO6R1400	CAMPO	STATOR
300	PRO6R1300	INDUCIDO	ROTOR
9	PRO6R1009	CENTRIFUGO	CENTRIFUGAL SWITCH
10	PRO6R1010	PLACA	CONNECTING PLATE OF CENTRIFUGAL SWITCH
11	PRO6R1011	RODAMIENTO	BEARING
12	PRO6R1012	CAPACITOR	CAPACITOR
13	PRO6R1013	JUNTA	OIL SEAL GASKET
14	PRO6R1014	CAPACITOR	CAPACITOR
15	PRO6R1015	CARCAZA DE CIGÜEÑAL	CRANKCASE
16	PRO6R1016	JUNTA	CRANKCASE COVER GASKET
17	PRO6R1017	TAPA DE CARCAZA DE CIGÜEÑAL	CRANKCASE COVER
18	PRO6R1018	VISOR DE NIVEL DE ACEITE	OIL LEVELER
19	PRO6R1400	TORNILLO	SCREW M6X14
20	PRO6R1300	REPIRADOR	BREATHER
21	PRO6R1021	TORNILLO	SCREW M6X20
22	PRO6R1022	CIGÜEÑAL	CRANK
23	PRO6R1023	BIELA	CONNECTING ROD
24	PRO6R1024	PERNO DE PISTON	PISTON PIN
25	PRO6R1025	ARANDELA	CIRCLIP
26	PRO6R1026	PISTON	PISTON
27	PRO6R1027	ARO DE PISTON	OIL CLEAN RING
28	PRO6R1028	ARO DE PISTON	SEAL RING
29	PRO6R1029	JUNTA	CYLINDER GASKET
30	PRO6R1030	ARANDELA	SPRING WASHER
31	PRO6R1031	TORNILLO	SCREW M6X30
32	PRO6R1032	CILINDRO	CYLINDER
33	PRO6R1033	JUNTA	VALVE PLATE GASKET
34	PRO6R1034	PLACA VALVULA	VALVE PLATE
35	PRO6R1035	JUNTA	SEAL GASKET
36	PRO6R1036	PLACA VALVULA	VALVE PLATE
37	PRO6R1037	JUNTA	CYLINDER GASKET
38	PRO6R1038	CONECTOR	RIGHT ANGLE CONNECTOR
39	PRO6R1039	TAPA DE CILINDRO	CYLINDER COVER
40	PRO6R1040	ARANDELA	WASHER 6

Referencia: **PRO 6**



41	PRO6R1041	ARANDELA	SPRING WASHER
42	PRO6R1042	TORNILLO	SCREW M6X20
43	PRO6R1043	FILTRO DE AIRE	AIR FILTER ASSEMBLY
44	PRO6R1044	ESCAPE	EXHAUST PIPE
45	PRO6R1045	VALVULA ANTI-RETORNO	NON RETURN VALVE ASSEMBLY
46	PRO6R1046	CONDUCTO	UNLOAD PIPE
47	PRO6R1047	MANGO	WHEEL JACKET
48	PRO6R1048	VALVULA DE SEGURIDAD	SAFETY VALVE ASSEMBLY
49	PRO6R1049	PRESOSTATO	PRESSURE SWITCH
50	PRO6R1050	CONECTOR	CONNECTOR
51	PRO6R1051	REGULADOR DE AIRE	REGULATOR ASSEMBLY
52	PRO6R1052	CONECTOR RAPIDO	QUICK COUPLING
53	PRO6R1053	MANOMETRO	PRESSURE GAUGE
54	PRO6R1054	MANOMETRO	PRESSURE GAUGE
55	PRO6R1055	CONECTOR	CONNECTOR
56	PRO6R1056	TUERCA	NUT
57	PRO6R1057	CABLE Y FICHA	CORD AND PLUG
58	PRO6R1058	TUERCA	NUT M8
59	PRO6R1059	ARANDELA	SPRING WASHER 8
60	PRO6R1060	TORNILLO	SCREW M8X25
61	PRO6R1061	ARANDELA	WASHER 8
62	PRO6R1062	PIE DE GOMA	RUBBER FEET
63	PRO6R1063	VALVULA DE DRENAJE	DRAIN VALVE
64	PRO6R1064	TANQUE	TANK ASSEMBLY

