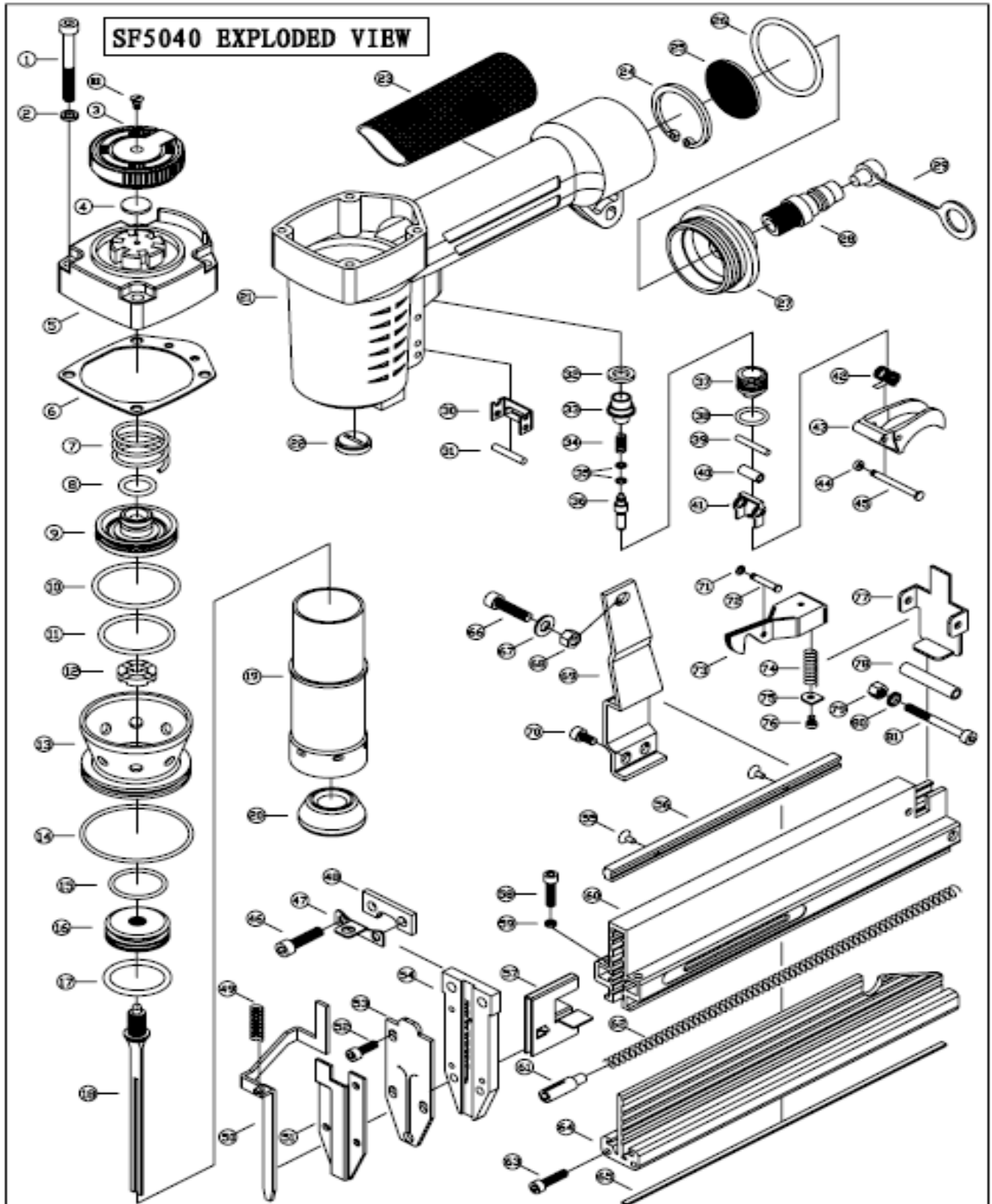




Referencia: **SF50/40**





Referencia: **SF50/40**

Inder No.	DESCRPTION	Inder No.	DESCRPTION
1	HEX. SOC. HD. BOLT (M5x45)	42	COIL SPRING
2	WASHER	43	TRIGGER
3	AIR DEFLECTOR	44	SPRING
4	SECELING WASHER	45	SPRING PIN
5	CYLINDER CAP	46	HEX. SOC. HD. BOLT (M5x20)
6	SECELING GASKER	47	SPRING SEAT
7	SPRING	48	WASHER
8	O-RING	49	SAFELY SPRING
9	HEAD VALVE	50	SAFETY SYSTEM
10	O-RING	51	COVER PLATE A
11	O-RING	52	HEX. SOC. HD. BOLT (M4x8)
12	SECELING WASHER	53	COVER PLATE B
13	COLLAR	54	GUIDE PLATE
14	O-RING	55	HEX. SOC. HD. BOLT (M4x6)
15	O-RING	56	STICKER PLATE
16	PISTION	57	PUSHER
17	O-RING	58	HEX. SOC. HD. BOLT (M4x12)
18	DRIVER	59	WASHER
19	CYLINDER	60	MOVABLE MAGAZINE
20	BUMPER	61	PUSHER
21	GUN BODY	62	PUSHER SPRING
22	WASHER	63	HEX. SOC. HD. BOLT (M4x14)
23	RUBBER HANDLE CASE	64	FIXED MAGAZINE
24	E-RING	65	LONG PIN
25	NET	66	HEX. SOC. HD. BOLT (M5x20)
26	O-RING	67	WASHER
27	END CAP	68	SCREW
28	AIR PLUG	69	SUPPORT STAND
29	PLUNG	70	HEX. SOC. HD. BOLT (M4x6)
30	STAND	71	O-RING
31	PIN	72	PIN
32	O-RING	73	RELEASE HANDLE TRIGER
33	TRIGER PISTON VALVE	74	SPRING
34	SPRING	75	SPRING SEAT
35	O-RING	76	HEX. SOC. HD. BOLT (M3x4)
36	VALVE SYSTEM	77	FIXED SEAT
37	TRIGER VALVE GUIDE	78	PIPE
38	O-RING	79	SCREW
39	PIN	80	WASHER
40	PIPE	81	HEX. SOC. HD. BOLT (M4x38)
41	ASSISTAINT TRIGGER	82	HEX. SOC. HD. BOLT